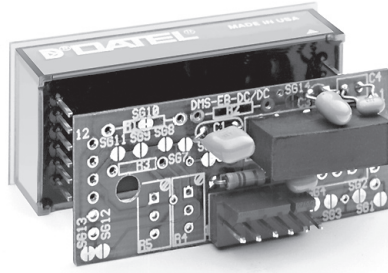


DC/DC Converter and Isolation Board for DMS-30PC/LCD Meters



For full details go to
www.cd4power.com/rohs



FEATURES

- Provide isolated +5V power for DMS-30 Series meters
- 750V minimum isolation
- Ideal for high-side dc ammeters shunts
- Provisions for +12V operation
- Includes all the features of the standard DMS-EB board
- Use with all DMS-30PC and DMS-30LCD (5V models only)
- -25 to +60°C operating temperature range

Functional Specifications

T_A = 25°C, V_{CC} = +5V

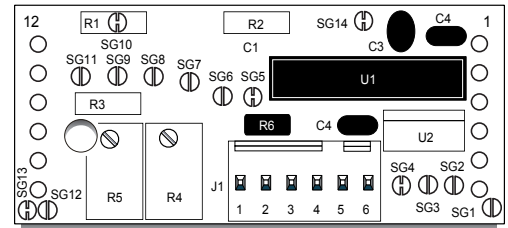
| | |
|--|--------------------------------------|
| Input Voltage | +5V (±5%) |
| Input Current: | |
| Typical | +150mA |
| Maximum | +250mA |
| Regulator Input Voltage Range (LM7805CT): | |
| DMS-30PC-X-XS | +7.5 to +9.5Vdc |
| DMS-30PC-X-RL | +7.5 to +18Vdc |
| DMS-30LCD-X-5(B) | +7.5 to +18Vdc |
| Output Voltage | +5V (±5%) |
| Isolation | 750V, minimum |
| Operating Temperature | 0 to +60°C |
| Storage Temperature | -20 to +75°C |
| Dimensions: | 2.02" (51.31mm)L 0.83" (21.08mm)W |
| Humidity (Non-condensing) | 0 to 95% |

Description: The DMS-EB-DC/DC Application Board provides isolated +5V power for DATEL's DMS-30PC/LCD Series, 3½ Digit, LED/LCD Display, Digital Panel Voltmeters. This add-on board is ideal for applications requiring isolation (up to 750V) between the input signal and the meter's +5V supply.

Features: The DMS-EB-DC/DC is an excellent choice for dc ammeter applications. These ammeters typically have the current shunt located on the positive side of the power supply — a condition which usually exceeds the meter's common mode voltage limit. Input-to-output isolation is required if the power source being measured also powers the DMS-30. DATEL's new Panel Meter Catalog has a detailed application note on dc ammeters.

Applications: The DMS-EB-DC/DC incorporates all standard features of the DMS-EB board; the only exception being the smaller allowable range of power supply voltage when using the LM7805 3-terminal regulator. Use the DMS-EB-DC/DC with any DMS-30PC meter or DMS-30LCD meter (5V-powered models only).

+7.5-18V Operation (Optional): Open SG4 and install U2 (LM7805CT) with its metal tab adjacent to U1. Applications requiring a lower dropout voltage should consider the LM2931T-5. Exceeding the allowable regulator input voltage ranges (see Functional Specifications) will cause device overheating! As is the case when specifying any electronic power component, be sure to consult all applicable manufacturer's data sheets.



Ordering Information

| | |
|---------------------|---|
| DMS-EB-DC/DC | DC/DC converter board (with mating connector) |
| DMS-BZL1 | Bezel assembly |
| DMS-BZL2 | Bezel assembly with sealing gasket |
| RN-DMS | Resistor accessory kit |

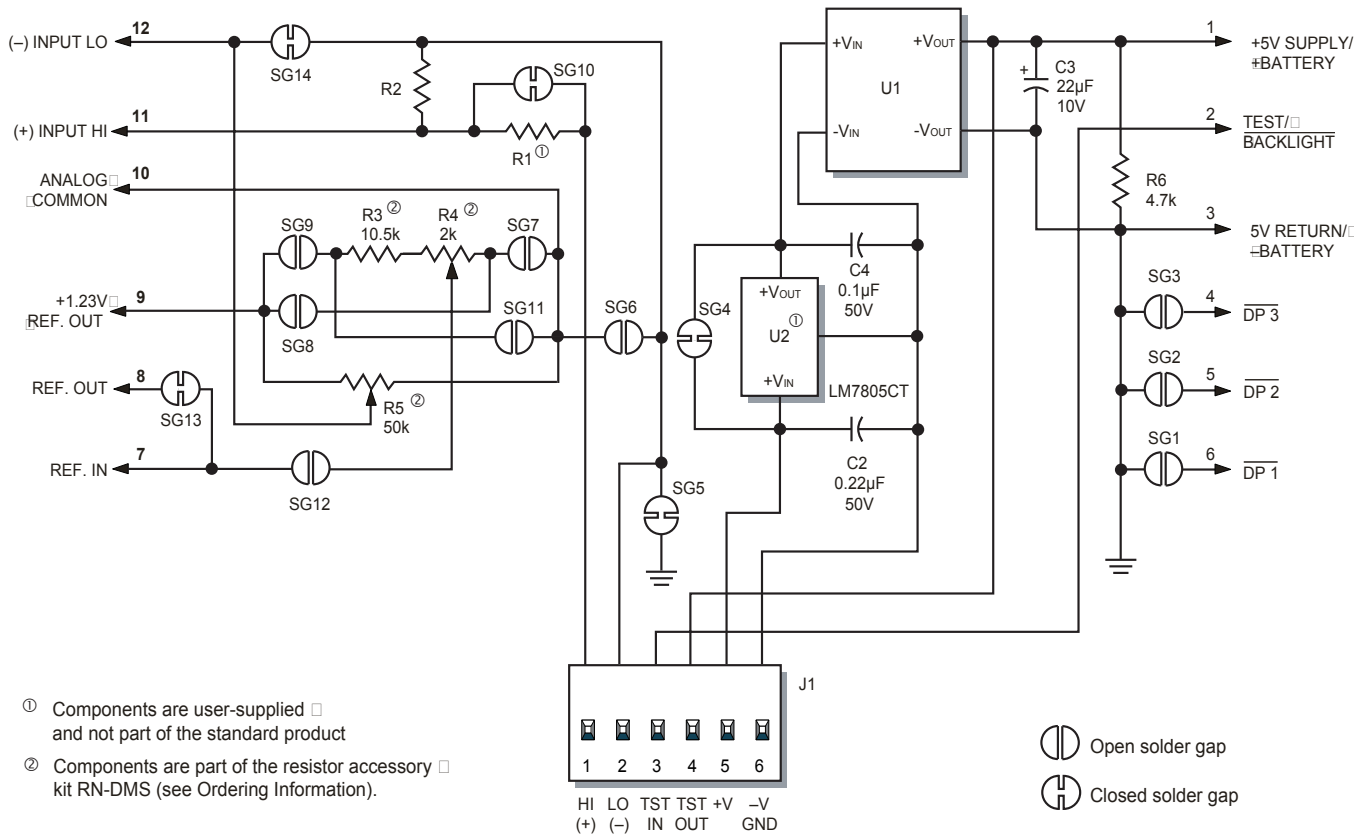


Figure 1. DMS-EB-DC/DC Schematic Diagram



C&D Technologies, Inc.
 11 Cabot Boulevard, Mansfield, MA 02048-1151 U.S.A.
 Tel: (508) 339-3000 (800) 233-2765 Fax: (508) 339-6356
 www.cd4power.com email: sales@cdtechno.com
 ISO 9001 REGISTERED

DS-0396D 05/2007

© 2006 C&D Technologies, Inc.
 C&D Technologies, Inc. makes no representation that the use of its products in the circuits described herein, or the use of other technical information contained herein, will not infringe upon existing or future patent rights. The descriptions contained herein do not imply the granting of licenses to make, use, or sell equipment constructed in accordance therewith. Specifications are subject to change without notice. The DATEL logo is a registered C&D Technologies, Inc. trademark.

USA: Tucson (Az), Tel: (800) 547 2537, email: sales@cdtechno.com
Canada: Toronto, Tel: (866) 740 1232, email: toronto@cdtechno.com
United Kingdom: Milton Keynes, Tel: +44 (0)1908 615232, email: mk@cdtechno.com
France: Montigny Le Bretonneux, Tel: +33 (0)1 34 60 01 01, email: france@cdtechno.com
Germany: München, Tel: +49 (0)89-544334-0, email: ped.munich@cdtechno.com
Japan: Tokyo, Tel: 3-3779-1031, email: sales_tokyo@cdtechno.com
 Osaka, Tel: 6-6354-2025, email: sales_osaka@cdtechno.com
Website: www.cd4power.jp
China: Shanghai, Tel: +86 215 027 3678, email: shanghai@cdtechno.com
 Guangzhou, Tel: +86 208 221 8066, email: guangzhou@cdtechno.com